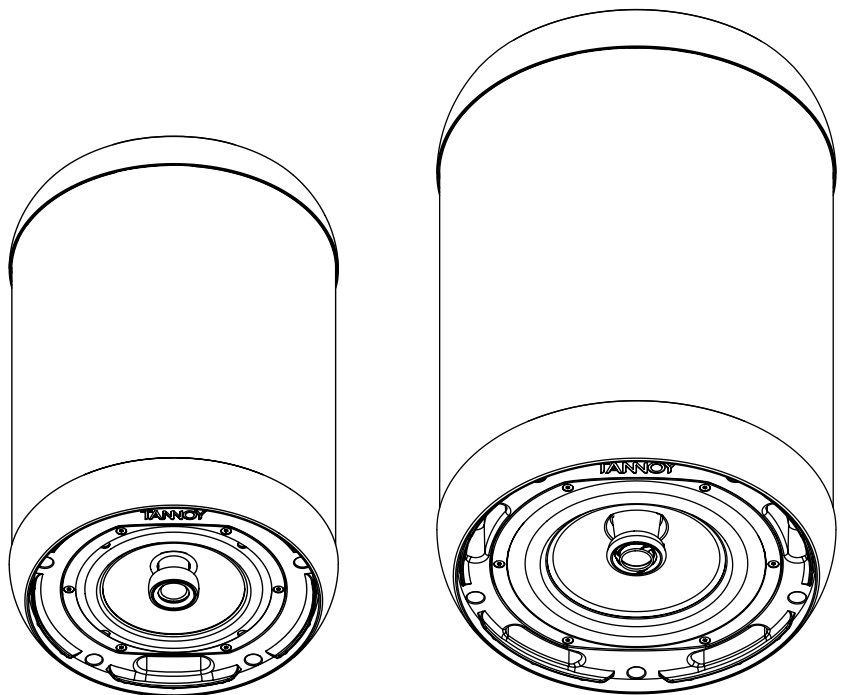


TANNOY®

OCV Series

OWNER'S MANUAL



OCV Series

CONTENTS

INTRODUCTION	02	WIRING & SETTING UP	06
UNPACKING	02	DIMENSIONS	07
SAFETY NOTICES	02	TECHNICAL SPECIFICATIONS	08
PRODUCT FEATURE IDENTIFICATION	03	WARRANTY	09
ACCESSORIES	04	DECLARATION OF CONFORMITY	10
INSTALLATION GUIDE	05		

INTRODUCTION

Thank you for purchasing this Tannoy Product loudspeaker. This product range is suited for high-level music and speech reinforcement applications requiring exceptional sonic quality with uncompromised reliability.

UNPACKING

Every Tannoy product and accessory is carefully inspected before packing. After unpacking, please inspect your product to make sure no damage has occurred in transit. In the unlikely event of any damage, would you please notify your dealer immediately and retain your shipping carton, as your dealer may ask you to return the faulty unit to them for inspection.

Each OCV loudspeaker is provided with the following accessories as standard; Grippler speed clamps, release key, 1 x hanging cable, 1 x safety cable, 1 x terminal weather boot, 1 x euroblock connector, 3/8" screwed rod adaptor, cable ties.

SAFETY NOTICES

Some regional construction codes require the use of a secondary method of securing loudspeakers in ceiling to provide security of a backup support. A secondary support line should be attached from the safety loop on the rear of the product to a source point on the ceiling. Please consult the relevant construction codes in your region.

Tannoy will not be held responsible for any damages caused by the improper installation of these loudspeakers.

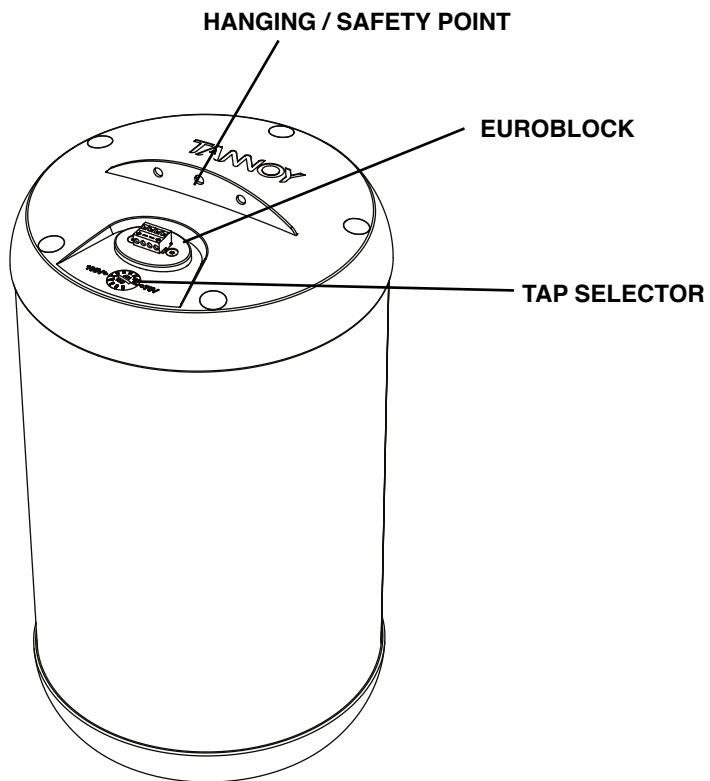
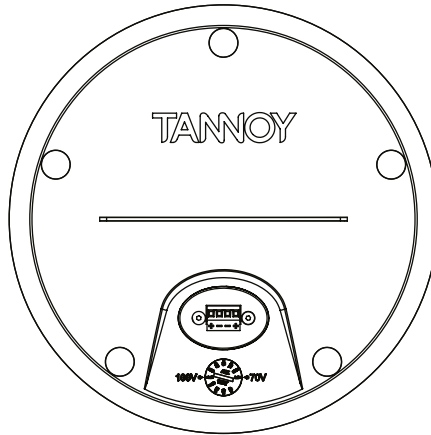
SAFETY NOTE:

In order to comply with the relevant fire safety regulations (ie. BS 5839:1998), it is required that in the event of fire, that failure of the circuit to which the loudspeaker is connected does not occur before evacuation of the building is complete. Suitable measures include: -

- a) use of terminal blocks (for connection to primary) with a melting point of not less than 650°C, for example constructed from ceramic materials;
- b) use of terminal blocks of a lower melting point but protected with thermal insulation;
- c) use of terminal blocks such that, on melting, an open-circuit or a short-circuit does not occur.

PRODUCT FEATURE IDENTIFICATION

OCV 6 / OCV 8



ACCESSORIES

GRIPPLE SPEED CLAMP



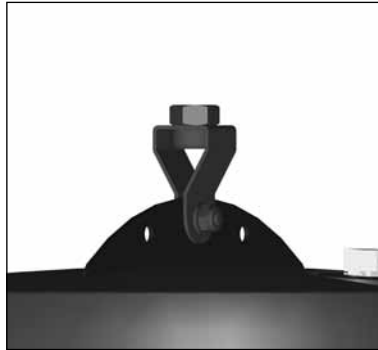
HANGING / SAFETY WIRES



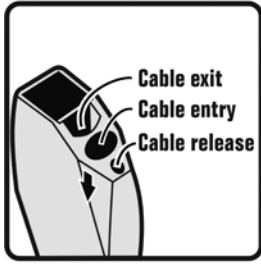
WEATHER BOOT



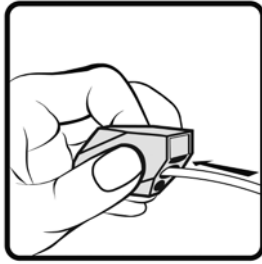
3/8" SCREWED ROD ADAPTOR



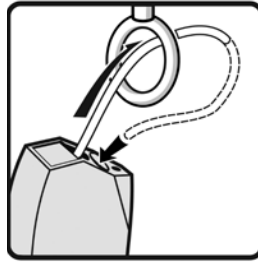
INSTALLATION GUIDELINES



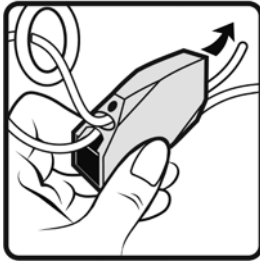
1. Gripple Instructions



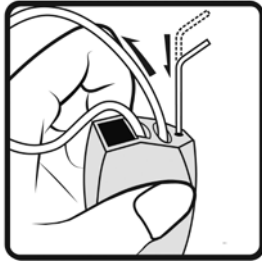
2. Thread hanging cable through Gripple as shown



3. Secure the cable to the fixing as shown.
NOTE: Repeat 1 and 2 for the safety cable.



4. Pull the cable through to adjust height. Pull to tighten. Insert release key to loosen or adjust.



5. The hanging cable should be attached to the centre hole on the bracket.
NOTE: The Safety cable can be attached to either of the secondary holes.

WIRING AND SETTING UP:

1. Remove the euroblock connector from the socket
2. Feed the cable through the rubber grommet then connect the euroblock connector to the cable observing the correct polarity



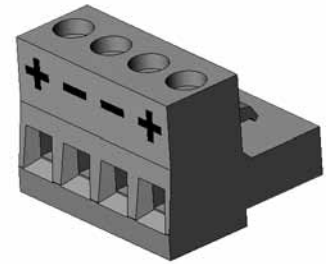
3. For connection to an amplifier, use pins 1 and 2:
Pin 1 is positive
Pin 2 is negative

For connection to additional speakers in a distributed line,
pins 3 and 4 are in parallel where:
Pin 3 is negative
Pin 4 is positive



4. Connect the euroblock connector then replace the rubber grommet to ensure the speaker is sealed.

THE SPEAKER IS SUPPLIED IN LOW IMPEDANCE MODE.
NEVER CONNECT THE SPEAKER TO A 70/100 VOLT AMPLIFIER
WHILE IT IS SET FOR LOW IMPEDANCE.

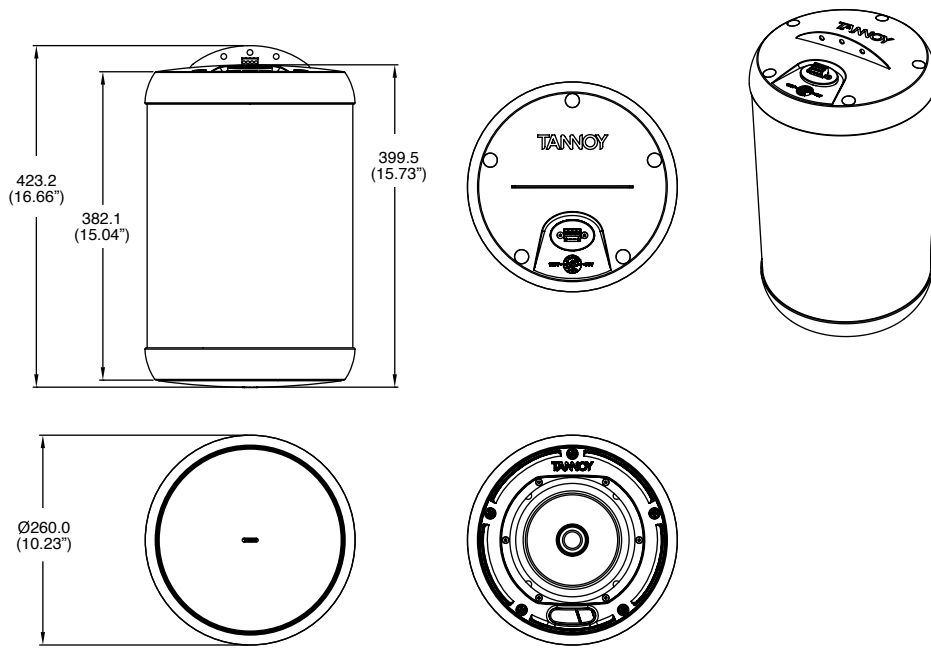


5. The OCV 6 and OCV 8 is fitted with a 60W transformer. When used in distributed-line systems, the transformer can be tapped at 60W, 30W, and 15W, with an additional 7.5W tapping for 70.7V line systems.

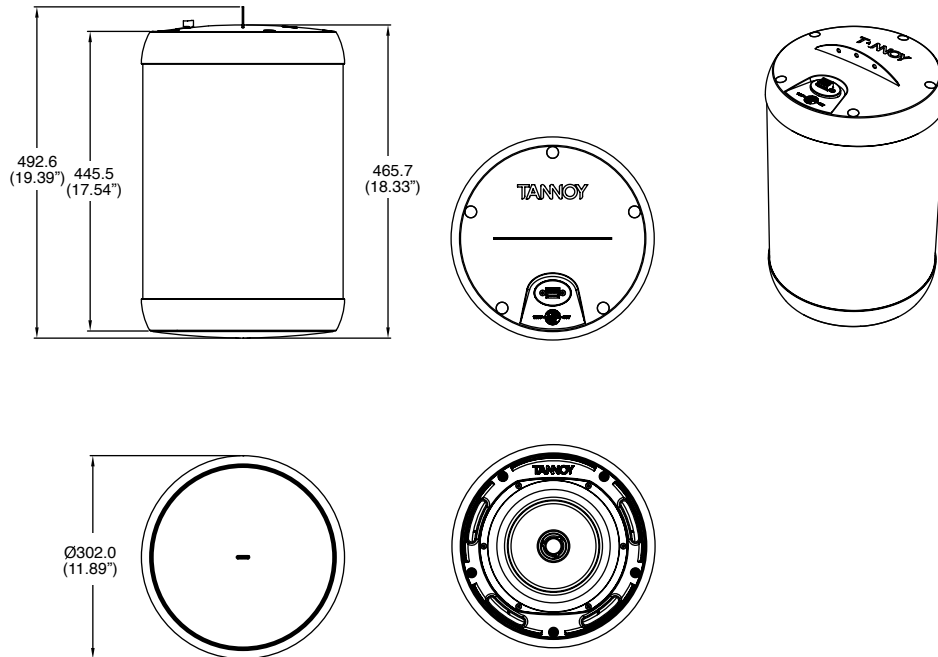


DIMENSIONS

OCV 6



OCV 8



TECHNICAL SPECIFICATIONS

	OCV 6	OCV 8
PERFORMANCE		
Frequency Response (-3dB) ⁽¹⁾	80Hz - 20kHz	75Hz - 20kHz
Frequency Range (-10dB) ⁽¹⁾	60Hz - 30kHz	60Hz - 30kHz
System Sensitivity (1W @ 1m) ⁽²⁾	88dB	90dB
Dispersion (-6dB)	90 degrees conical	80 degrees conical
Transducers	Coaxial	Coaxial
Low Frequency	150mm (6.00") mineral loaded cone material	200mm (8.00") mineral loaded cone material
High Frequency	20mm (0.79)	25mm (1.00")
Crossover	5.4kHz - 2nd order LF, 2nd order HF	4.5kHz - 3rd order LF, 2d order HF
Directivity (Q)	11.3 averaged 1kHz to 6.3kHz	14.4 averaged 1kHz to 6.3kHz
Directivity (DI)	10.5 dB averaged 1kHz to 6.3kHz	11.6 dB averaged 1kHz to 6.3kHz
Rated Maximum SPL ⁽²⁾	105dB (average) 111dB (peak)	108dB (average) 114dB (peak)
Power Handling		
Average	60W	70W
Programme	120W	140W
Peak	240W	280W
Recommended Amplifier Power	120W @ 16 Ohms	140W @ 16 Ohms
Nominal Impedance	16 Ohms	16 Ohms
Distortion 10% Full Power	(9.8V) 2nd Harmonic 3rd Harmonic	(6.48V) 2nd Harmonic 3rd Harmonic
250Hz	0.42% 0.14%	0.56% 0.11%
1kHz	0.11% 0.31%	0.20% 0.24%
10kHz	1.27% 0.16%	1.19% 0.15%
Distortion 10% Full Power	(3.1V) 2nd Harmonic 3rd Harmonic	(2.05V) 2nd Harmonic 3rd Harmonic
250Hz	0.16% 0.16%	0.14% 0.16%
1kHz	0.05% 0.18%	0.08% 0.18%
10kHz	0.27% 0.27%	0.44% 0.09%
CONSTRUCTION		
Enclosure	ABS / Steel	ABS / Steel
Grille	Steel, plated and powder coat painted	Steel, plated and powder coat painted
Connectors	Euroblock type removable locking connector with screw terminals with "loop through" facility	Euroblock type removable locking connector with screw terminals with "loop through" facility
Transformer setting	Rotary switch	Rotary switch
Safety Agency Ratings	UL-1480, UL-2043, CE	UL-1480, UL-2043, CE
Bezel diameter	260mm (10.23")	302mm (11.89")
Overall Length	423mm (16.66")	492.5mm (19.39")
Net Weight	5.9kg (12.96lbs)	7.8kg (17.2lbs)
Shipped weight	7.5kg (16.53lbs)	9.8kg (21.6lbs)
Transformer Taps		
70V	60W / 30W / 15W / 7.5W & low Impedance operation	60W / 30W / 15W / 7.5W & low Impedance operation
100V	60W / 30W / 15W & low Impedance operation	60W / 30W / 15W & low Impedance operation
Packed quantity	1	1

Notes

(1) Average over stated bandwidth. Measured at 1 metre on axis in an anechoic chamber (2) Unweighted pink noise input, measured at 1 metre in an anechoic chamber
A full range of measurements, performance data, and Ease™ Data can be downloaded from www.tannoy.com

Tannoy operates a policy of continuous research and development. The introduction of new materials or manufacturing methods will always equal or exceed the published specifications, which Tannoy reserves the right to alter without prior notice. Please verify the latest specifications when dealing with critical applications.

WARRANTY

No maintenance of the OCV pendant speaker is necessary.

All Tannoy professional loudspeaker products are covered by a 5 year warranty from the date of manufacture subject to the absence of misuse, overload or accidental damage. Claims will not be considered if the serial number has been altered or removed. Work under warranty should only be carried out by a Tannoy Professional dealer or service agent. This warranty in no way affects your statutory rights. For further information please contact your dealer or distributor in your country.

Customer Services, Tannoy Ltd., Rosehall Industrial Estate, Coatbridge, Strathclyde ML5 4TF, Scotland

Telephone:	01236 420199	(National)
	+44 1236 420199	(International)
Fax:	01236 428230	(National)
	+44 1236 428230	(International)
E-mail:	enquiries@tannoy.com	
	service@tannoy.com	

Service Info, TC Group Americas

Telephone:	(800) 565-2523 (toll free)
	(519) 745-1158
Fax:	(519) 745-2364
E-mail:	support@tcg-americas.com
Web:	www.tcggroup-americas.com

DO NOT SHIP ANY PRODUCT TO TANNOY WITHOUT PREVIOUS AUTHORISATION

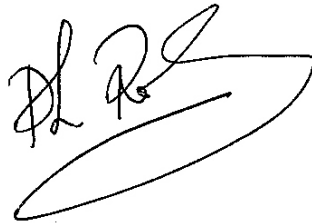
PLEASE NOTE: In order to direct you to the appropriate service facility a return authorization and instructions must be issued in advance - do not send any equipment to any Tannoy or TC Group Americas facility without prior authorization or it will be refused. In some cases a local service facility can be recommended.

Our policy commits us to incorporating improvements to our products through continuous research and development. Please confirm current specifications for critical applications with your supplier.

DECLARATION OF CONFORMITY

The following apparatus is manufactured in China for Tannoy Ltd of Rosehall Industrial Estate, Coatbridge, Scotland, ML5 4TF and conform(s) to the protection requirements of the European Electromagnetic Compatibility Standards and Directives relevant to Domestic Electrical Equipment. The apparatus is designed and constructed such that electromagnetic disturbances generated do not exceed levels allowing radio and telecommunications equipment and other apparatus to operate as intended, and, the apparatus has an adequate level of intrinsic immunity to electromagnetic disturbance to enable operation as specified and intended.

Details of the Apparatus:	Tannoy Contractor Loudspeaker
Model Number:	OCV
Associated Technical File:	EMCi6
Applicable Standards:	EN 50081-1 Emission EN 50082-1 Immunity



Signed:	
Position:	Director of Engineering
Date: 13th Apr. 11.	

NOTES

Tannoy (Direct UK)	T: 00 44 (0) 1236 420199	E: enquiries@tannoy.com
TCGI (ROW sales)	T: 00 45 8742 7000	E: info@tcgroup-international.com
TCGA (Americas sales)	T: 00 1 (519) 745 1158	E: info@tcgroup-americas.com
Tannoy Middle East	T: 00 971 (04) 4401208	E: enquiries@tannoy.com



Tannoy adopts a policy of continuous improvement and product specification is subject to change.

tannoy.com