

Tornado-KTL2 | KTL2C

2" point source multipurpose loudspeaker with integrate RGB LEDs



Tornado-KT2



Tornado-KT2CW

DATASHEET

Installed Sound Tornado-TL2|KTL2C

DESCRIPTION

The Tornado series is a miniature sound source designed for high-quality distributed systems.

Housed in a compact aluminum enclosure, the Tornado is suitable for space sensitive and architectural design installations.

The Tornados are a turnkey loudspeaker solution: designed as passive speakers, that can be easily converted into self-powered devices by inserting the KA1-T2 12V/24V amplifier module.

In addition to the standard features of the

Tornado, the KTL2 and KTL2C models have 6 integrated RGB LEDs that can be controlled with a wide range of K-array accessories via DMX or by remote control. With its ability to effortlessly reproduce speech, music and lighting, it is an excellent choice for fixed applications such as theatre, museum displays, restaurants, portable systems for corporate AV presentations, department stores, and in hidden locations such as chancel steps in houses of worship.

The KTL2 and KTL2W models come with a

wall bracket for fixed installations or surface applications while the KTL2C and KTL2CW models come with a ceiling brackets for ceiling mounts.

All Tornado components are designed by the K-array R&D department and custom made under the K-array quality control system.

Designed as a passive speaker, the Tornados can be easily converted into self-powered devices by inserting the KA1-T2H 12V/24V amplifier module.

COLORS & PREMIUM FINISHES AVAILABLE



Black



White



Custom

SUGGESTED ACCESSORIES

KA1-T2H

K-AL75

K-RGBREM

K-AL120

K-RGBDMX

K-AL240

FEATURES



Visually Discreet



Weather Resistant



Lightweight & Compact



Electronically Protected



Selectable Impedance

FREQUENT APPLICATIONS

CAFES, BISTROS & RESTAURANTS

HOTELS

RETAIL

THEME PARKS

TRANSPORTION FACILITIES

MUSEUMS

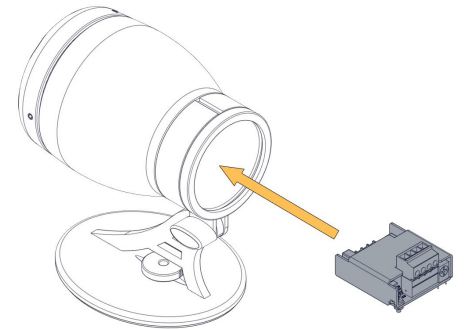
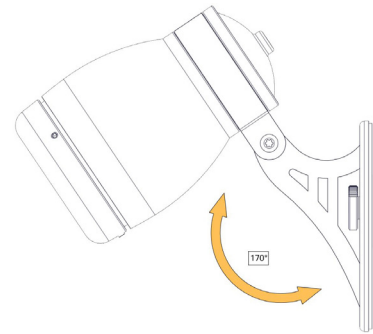
AUDITORIUMS, EDUCATION & GOVERNMENT

BROADCAST & STUDIOS

TECHNICAL SPECIFICATIONS

ACOUSTICS	
Power handling	18 W ^(AES)
Impedance	8Ω - 32Ω (settable) 70V version available upon request (KT2-HV)
Frequency range (-10 dB)	150 - 18 kHz ⁽¹⁾
Maximum SPL	101 dB (cont.) - 107 dB (peak) ⁽²⁾
COVERAGE	
Horizontal	90°
Vertical	90°
CROSSOVER	
Type	External Crossover required
Frequency	150Hz 24dB/Oct minimum required
TRANSDUCERS	
Full-range	2" Neodymium magnet Woofer with 2 voice coils of 0.8"
Impedance	2 x 16 Ω
POWER AUDIO INPUT	
Connectors	4-pin Phoenix connector
Wiring	VoiceCoil A=1+ 1- VoiceCoil B=2+ 2-
LED CONNECTIONS	
Connectors	4-pin Phoenix connector
Wiring	R=1+ ; G=1- ; B= 2+ ; V=2-
CERTIFICATION	
IP	54
PHYSICAL OVERVIEW	
Dimensions	7.4 x 12.1 x 11.7 cm (2.93"x 4.76"x 4.62") ⁽³⁾ KTL2 12,5 x 12,5 x 11,9 cm (4.92"x 4.92"x 4.68") ⁽³⁾ KT2LC
Weight	0.6 Kg (1.32 lb)

Notes for data
 1. With dedicated preset;
 2. Measured @8 m, then scaled @1 m;
 3. (W x H x D).
 New materials and design are introduced into existing products without previous notice. Present systems may differ in some respects from those presented here catalogue.



KTL2+KA1-T2H

